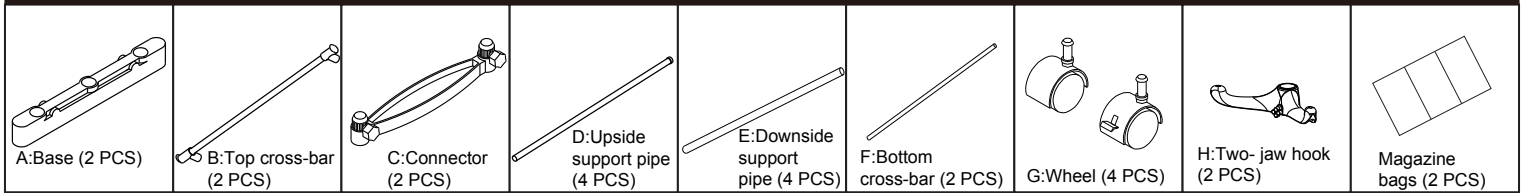


Instruction

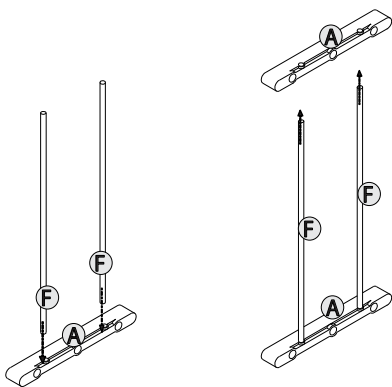
SMS-LIV-006

Read the instruction carefully before using

PARTS

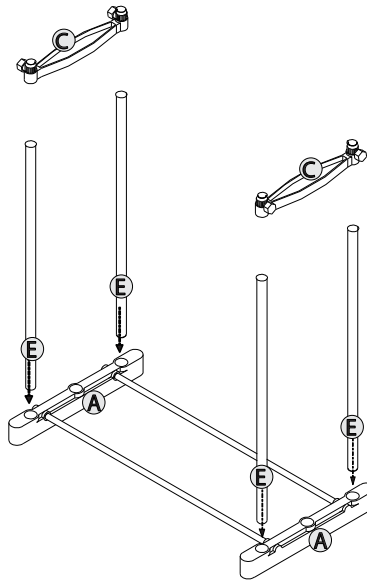


STEP 1



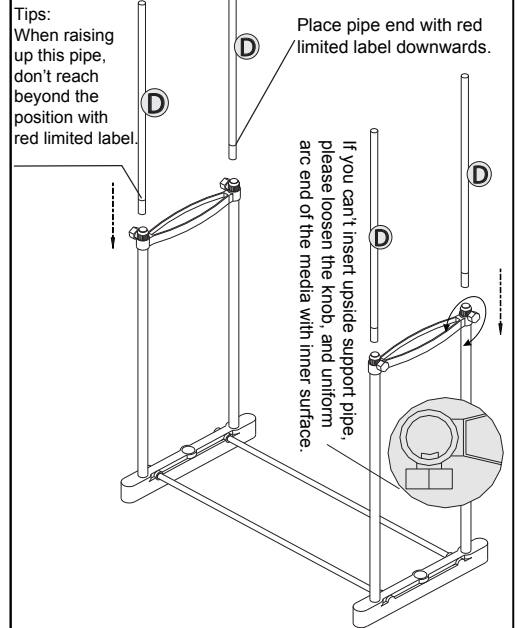
Keep one side of part "A" lay on the level, insert part "F" into "A" to the suitable position for avoiding shaking.

STEP 2



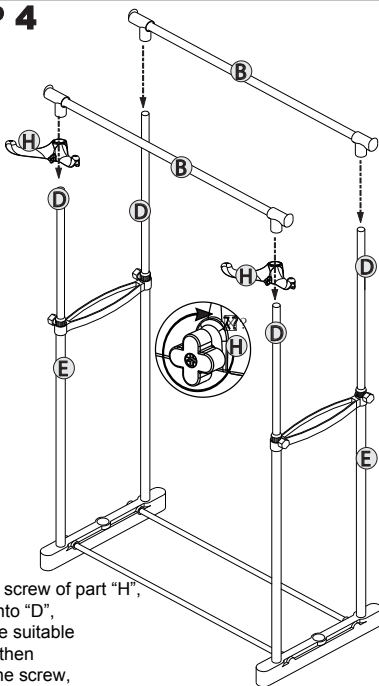
Insert part "E" into "A" and then insert "C" into "E" to the suitable position.

STEP 3



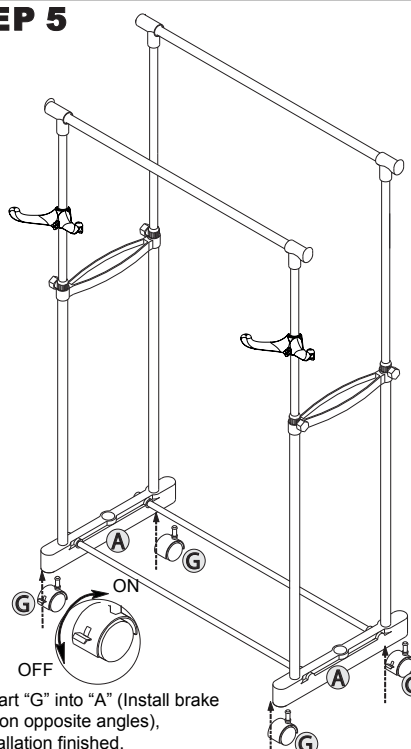
Insert part "D" into "C", adjust to the suitable height and then fasten up the knob.

STEP 4



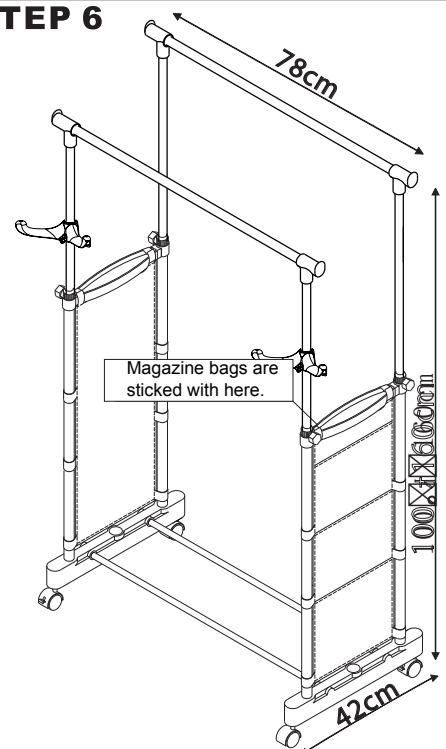
Loosen the screw of part "H", install "H" into "D", adjust to the suitable height and then fasten up the screw, next, install part "D" into "B" to the suitable position.

STEP 5



Insert part "G" into "A" (Install brake wheels on opposite angles), the installation finished.

STEP 6



Remarks:

1. Pls put things in the scope of weight and pay much attention to the balance.
2. Don't put dangerous and credible goods on it.
3. Cleaning in light water and mobbing in wet cloth.
4. Don't put it in the high heat place.
5. No climbing for the children to prevent injuries